



USER MANUAL

SAFERA Airis Stove Guard

SAFERA AIRIS STOVE GUARD

User Manual

Congratulations for buying the SAFERA Airis Stove Guard. This guide describes the use and maintenance of the product. Please read these instructions carefully before installing and using the system and keep them throughout the product life cycle.

Safe and enjoyable cooking!

1.1 Manufacturer

The product is designed and manufactured by SAFERA Oy, a Finnish expert on home fire safety.



SAFERA Oy
Muuntotie 1
01510 Vantaa
Finland

Product support
support@safera.com

Contents

1. Warnings
2. Stove Guard Description
3. Using the Stove Guard
4. Maintenance
5. Personalizing the stove guard
6. Troubleshooting
7. Specifications
8. Warranty
9. CE Conformity

1. WARNINGS

Follow these instructions carefully and pay particular attention to the instructions marked in the following way:

▲ WARNING

Follow instructions marked with a warning accurately to prevent injury to persons and damage to property.

📄 ATTENTION

Follow instructions marked with a note carefully to prevent damage to property.

📖 HINT

Hints give you useful hints on using the appliance.

1.1 Important Use and Service Information

The Stove Guard must be used for its intended purpose only, as described in chapter 2.1. SAFERA Oy is not liable for any damages caused by inappropriate use or installation of the appliance.

Only authorised SAFERA service personnel are allowed to service the safety system. Use only original SAFERA parts.

1.2 Battery safety information

▲ WARNING

Failure to follow the instructions below may cause the batteries to leak fluid and gas, or even explode.

- Do not expose batteries to excessive heat, insert them with wrong polarity,

or try to recharge them.

- Always replace all batteries at once, using the same make, model and age for all batteries.
- Do not leave empty batteries inside the device for prolonged periods.
- Recycle the empty batteries properly, do not place in domestic waste.
- If the leaked fluid gets into your eyes, do not rub them, as there is a risk of losing eyesight. Rinse your eyes with water and contact a physician immediately.
- If the leaked fluid gets into your mouth, rinse with water and contact a physician immediately.
- If the leaked fluid gets on your skin or clothes, rinse with large amounts of water to prevent burns.

1.2.1 Safe Cooker Use

Cooking fires are the number one cause of home fires. Cooking fires are mainly the result of negligent cooker use, such as leaving the cooker on accidentally after use. SAFERA Stove Guard is designed to prevent injury to persons and damage to property caused by cooking fires.

▲ WARNING

Always use the cooker safely and responsibly, even when protected by the Stove Guard.

The Stove Guard does not replace statutory home fire alarms. Ensure that fire safety at your home follows the local regulations.

2. STOVE GUARD DESCRIPTION

2.1 Purpose of Use

SAFERA Stove Guard is designed to improve the safety of the cookers meant for household use (see compatibility in the Installation manual). It is highly effective against cooking fires.

Be always careful when using the cooker. Keep children away from the cooker.

Please note that the appliance is designed to prevent cooking fires. In case of a fire, you must follow appropriate procedures to prevent further damage. If necessary, call Emergency Services, explain the situation calmly and follow the instructions given to you.

▲ WARNING

Flame cooking is prohibited under the cooker hood.

SAFERA Stove Guard is meant for household use only. The appliance must not be used in professional kitchens or with cookers and hobs meant for professional use.

2.2 Conformity

SAFERA's CE marking ensures that SAFERA Airis conform to the required EU requirements and standards. See chapter 9.

2.3 Appliance Description

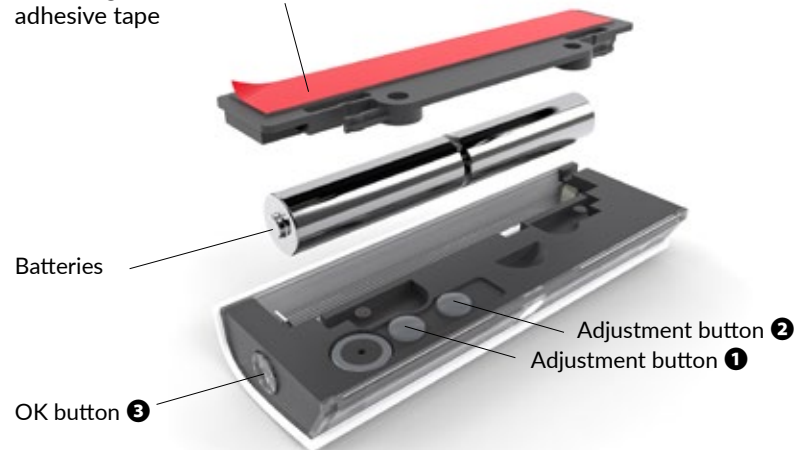
SAFERA Airis can be mounted on the wall or on the bottom of the cooker hood above the cooker. See adjacent figure.

- Ⓐ Sensor unit
- Ⓑ Mounting bracket
- Ⓒ Power control unit

The Sensor unit Ⓐ and the power control unit Ⓒ are connected with a wireless SAFERA RobustLink connection, which is designed for safety-critical applications.



Mounting bracket Ⓑ with adhesive tape



Indicator light Ⓓ Sensors Ⓔ

Low battery light Ⓔ

2.4 Indicator light Ⓓ

LED color	Sound	Function
Green	-	Cooker ready to use
Red blinking	Yes	Cooker danger
Red blinking slowly	Yes	Cooker power has been cut off
Blue blinking slowly	Yes	Water leakage (optional)

3. USING THE STOVE GUARD

SAFERA Stove Guard observes the temperature changes and the use of the cooker. The Stove Guard automatically gives an alarm and switches off the cooker and the oven in a hazardous situation based on temperature changes and also if

- the cooker is left on for over 3 hours without anyone using it,
- the cooker has been on for over 5 hours, or
- the oven has been on for over 12 hours without anyone using it.

3.1 Setting the Alarm Limit

To ensure safe and reliable operation, you need to set the alarm limit to match the location of the cooker in the kitchen. The alarm limit may also be adjusted in case of frequent false alarms. See Installation manual for further information.

▲ WARNING

The Stove Guard is controlling the oven only if the oven is connected to the power control unit (C).

The cooker's hot-hob indicators do not work after the Stove Guard has switched off the cooker. The hobs may still be hot.

▣ ATTENTION

The Stove Guard is designed to avoid raising unnecessary alarms. This means that it allows the temperature to rise quite high during cooking without raising an alarm.

It does not sound an alarm until it looks like the situation may cause danger to the surroundings.

3.2 Automatic Child Proof Lock

By default, automatic child proof lock is disabled. You can enable it by pressing the adjustment button ❶ for 5 seconds until you hear two high beeps (••) and the indicator light ❷ blinks green twice. This way you can also disable the automatic child proof lock (one low signal with indicator light ❷ blinking red).

Automatic child proof lock will prevent using the cooker and oven approx. 10 - 60 minutes after the cooking is finished.

To use the cooker when the automatic child proof lock is enabled, press the OK button ❸ first and then turn on the cooker. If the OK button is not pressed first, the automatic child proof lock will switch off the cooker power in five seconds.

3.3 Other safety features

For safety reasons, the stove guard will prevent the use of cooker and oven, if

- the sensor unit (A) is removed from its' original installation position: place the sensor unit back to the mounting bracket (B)
- the batteries are empty: replace the batteries (see chapter 4.3)
- if the sensor unit is (A) faulty: see chapter 6. troubleshooting. Until the fault is fixed, you are able to use the cooker temporarily for 3 hours by removing the batteries from the sensor unit (A) and the fuses for cooker for 10 seconds.

3.4 Cooker danger

Warning for dangerously hot cooker or for leaving the cooker or the oven on for too long. An alarm is sounded and indicator light ❹ is flashing red. The Stove Guard switches off the cooker and the oven in 15 seconds. When you hear the alarm:

1. Check the situation calmly. If there is no danger, you can prevent the cooker power switch off by pressing the OK button ❸ during the alarm and continue with cooking.
2. If you do not press the OK button ❸ during the alarm, the Stove Guard will switch off the cooker and the oven: after switch off a repetitive signal is sounded and the indicator light ❹ is blinking red for 15 minutes.
3. When there is no more danger, you can return the power to the cooker and oven by pressing the OK button ❸. First, turn the hob switches to the zero position.
4. Ensure that the hazardous situation will not recur.

🔍 HINT

If the case of frequent false alarms, you can raise the alarm limit, see 3.1.

3.5 Water Leakage Detector (optional)

SAFERA Stove Guard can be equipped with max. four water leakage sensors. When the sensors get wet for example because water drips on them, the detector will sound an alarm with far-spaced signals and indicator light ❹ is blinking blue.

When you hear the water leakage alarm:

1. Reset the alarm by pressing the OK button ❸.
2. Before continuing, make sure the power supply for the cooker is turned off.
3. Find out what caused the alarm and take care of the water leakage.
4. Clean and dry the sensor (F).

🔍 HINT

If the sensor is left wet, the appliance will give another alarm in 8 hours after signing off the previous one.

4. MAINTENANCE

To ensure continued safe and reliable operation, please follow the instructions in this chapter.

4.1 Regular maintenance

Follow these maintenance instructions at least every three months or more frequently if needed.

4.1.1 Check the working order

Press and hold the OK button **3** for 5 seconds to manually switch off the cooker power and test that none of the burners and the oven are powered. If ok, press the OK button **3** to return the power to the cooker.

Press the OK button **3** to start the self-diagnostics: when the stove guard is in working order, the indicator light **4** will blink in green.

ATTENTION

If you press the OK button **3** and the indicator light **4** is not blinking green, the appliance is faulty. See section *Troubleshooting*.

4.1.2 Cleaning

Wipe the Sensor unit **A** with a cloth moistened with water or a mild detergent, such as washing up liquid, once a month. Avoid pressing the appliance buttons and sensors.

ATTENTION

Do not use coarse or abrasive materials to clean the sensor unit **A**.

4.2 Battery life and low battery

In normal use, the batteries should last 3-5 years.

The low battery light **5** starts blinking and the stove guards sounds a beep when the battery is expected to last approximately two weeks. Replace the batteries according to the following instructions.

You may reset the low battery alarm for 12 hours by pressing the OK button **3**.

If the batteries are not replaced in approximately two weeks, the stove guard switches off the cooker power. The low battery light **5** will be blinking until the batteries are completely empty.

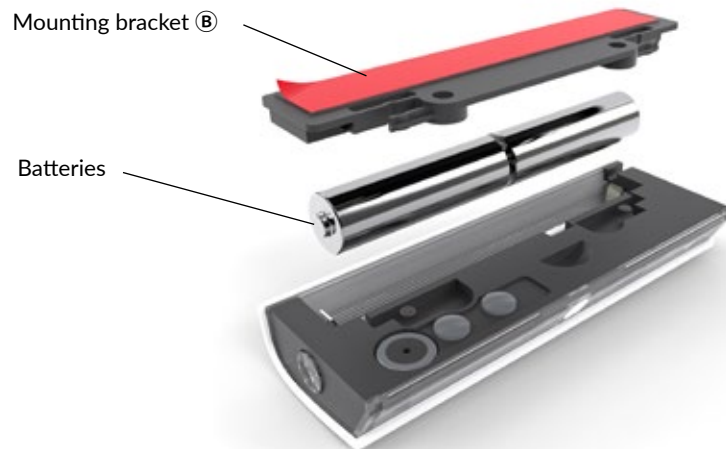
4.3 Battery replacement

1. Remove the sensor unit **A** from the mounting bracket **B** by pulling it gently.
2. Remove the empty batteries.
3. Place the new AA/LR6 Alkaline batteries in the sensor unit **A**. Notice the correct position marked on the bottom of the battery case.
4. Place the sensor unit **A** back onto the mounting bracket **B**.

ATTENTION

Check the correct position of the batteries marked on the bottom of the battery case.

Use only high quality alkaline batteries. Duracell Ultra Power is recommended.



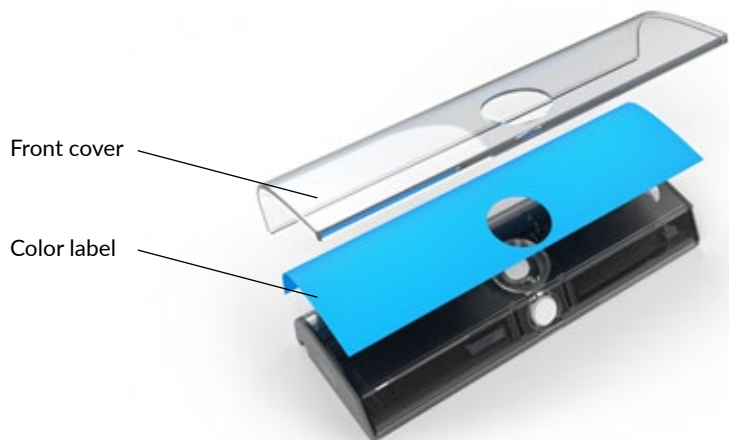
5. PERSONALIZING THE STOVE GUARD

You may change the color of the stove guard with the provided color labels. The stove guard is delivered with 10 different color labels and one transparent front cover and one opaque white front cover.

1. Remove the sensor unit (A) from the mounting bracket (B) by pulling it gently.
2. Remove the front cover from the sensor unit (A) by lifting it from the back of the sensor unit.
3. Place desired color label on top of the sensor unit. Make sure that none of the sensors are masked with the label.
4. Place the transparent front cover on the sensor unit and place the sensor unit (A) back onto the mounting bracket (B).

HINT

You may print your own color label and place it in to the stove guard to match the stove guard perfectly into your kitchen wall.



6. TROUBLESHOOTING

Press the OK button (3) to find out the problem type by the indicator light (4):

Indicator light (4) blinks in blue:

- **Blinks once:** Problem with wireless connection.
- **Blinks twice:** Problem with power control unit (C).
- **Blinks three times:** Power control unit (C) over-heating.

Indicator light (4) blinks in yellow:

- **Blinks once:** Problem with sensors (6).
- **Blinks twice:** Problem with sensor unit (A).
- **Blinks three times:** Faulty installation position of the sensor unit (A): see remedy on the table below.

Problem

Remedy

Cooker cannot be switched on.

See chapters 3.2 or 3.3. If the problem persists, press the OK button (3) to find out the problem type, see the table above.

Faulty installation position of the sensor unit (A).

Sensor unit (A) will automatically recognize its' installation position during the first time the cooker is used for cooking. After the auto-recognition is completed, the stove guard will prevent the use of cooker and oven if the sensor unit (A) is removed from its' original installation position. To enable use of the cooker, place the sensor unit (A) back to the mounting bracket (B).

If the problem persists, the auto-recognition might not have been successful. Ensure the correct position of the sensor unit (A) (see installation manual step 2/2) and manually reconnect the wireless connection according the installation manual chapter 5.2. The fault should be then reseted automatically in two minutes.

The appliance repeatedly gives false (the indicator light (4) is blinking red and cooker power is switched off).

Test the working order according to chapter 4. Maintenance. If the appliance is in working order, but the Stove Guard gives repeatedly false alarms, you may adjust the alarm limit of the appliance. See installation manual.

The appliance repeatedly gives false alarms, especially when the oven is in use.

There may have been a mistake in the calibration of the appliance. See installation manual.

The appliance repeatedly gives out water leakage alarms.

For instructions, see chapter 3.5. If the alarms recur, take off the fuses for the cooker and the oven. Check that the leakage sensors are correctly connected. Put back the fuses.

Please contact your vendor support if you cannot solve your problem with these instructions.

7. SPECIFICATIONS

Sensor Unit	
Battery type	AA/LR6 Alkaline. Recommended type: Duracell Ultra Power (MX1500)
Battery life	3 - 5 years
Wireless connection	SAFERA RobustLink 2,4 GHz. Range 10 - 100 m, depending on the building structure
Pollution degree	2
Power Control Unit	
Compatibility	Most electric cookers and hobs used in private homes. See specific compatibility on the label of the power control unit ©.
Power supply	See the label of the power control unit ©.
Power consumption	2 W (PCU6.3 = 4 W)
Control type	IEC/EN 60730 - 1 : Type 1.B
Pollution degree	2
Impulse voltage rating	4 kV
Operational ambient temperature	See the label of the power control unit ©.
Ball pressure test rating	100 °C
PTI of insulation materials	175...400
Designed number of automatic actuations	6000
IP class	See power control unit

8. WARRANTY

The appliance comes with a 24 month warranty as regulated in the general warranty terms of SAFERA.

9. CE CONFORMITY

SAFERA Oy ensures that Airis fulfils all compliant EU directives and standards:

EN-50615 category B, 2006/95/EC, 2004/108/EC, 1999/5/EC, 2002/95/EC, 2002/96/EC, EN 301 489-1: 2011 (V1.9.2), EN 301 489-17: 2009 (V2.1.1), EN 55014-1:2000 / CISPR 14-1, EN 55014-2:1997 / CISPR 14-2 + Amd.2, ETSI EN 300 328: 2012 (V1.8.1), EN 60730-1: 2000 + A12 + A13 + A1 + A14 + A16 + A2, EN 60730-2-9: 2010, EN 60335-1: 2010 (ed 5.0), EN 60335-2-31: 2002 / A1:2006.

Vantaa Finland 1.5.2015, Henri Andell, VD